



SN. . . . .

# Dr. Jekyll & Mr. Hyde<sup>®</sup>

## THE EXHAUST

MANUAL : HARLEY-DAVIDSON<sup>®</sup> | SMARTBOX 2

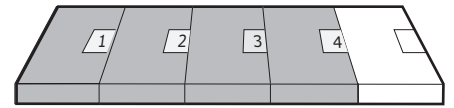
**NEW IN THIS MANUAL:**  
**- JEKILL BOMB EXHAUST**



Slim  
Standard  
2021->

1

# Slim/Standard 2021-> Smartbox 2



**1 Assembly Kit**

CA 2x  
TR 16x

**2 Smartbox 2**

2P, 4P, 6P

**3 Mode Switch for Smartbox**

Option 1  
Option 2

6X, 6X

**4 Smartbox Power Cable**

4X, 4A

**5 O2 sensor cable extender**

**Exhaust/Cable /Servo System**

2X

2

Re-use at step 5 & 7  
4x, 2x

L&R

1, 2, 3, 4

Re-use at step 3  
2x

3

## Re-install oxygen sensors Upper- & lower exhaust

Use HD-tool:  
HD-52977

OEM

20Nm  
15lbf ft

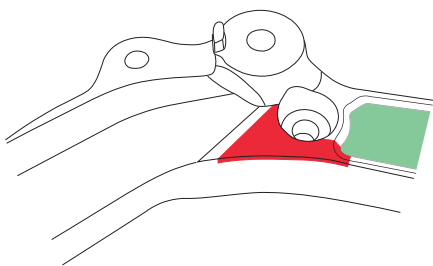
300 km  
186 mi

2x

⚠ Upper exhaust oxygen sensor = gray ⚠  
⚠ Lower exhaust oxygen sensor = black ⚠

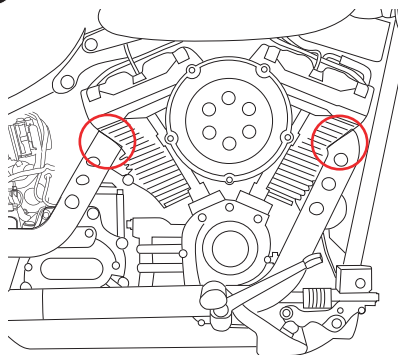
4

1 Adjust OEM exhaust bracket



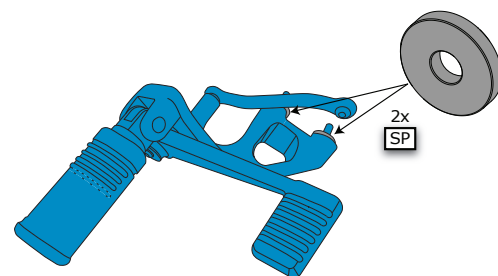
Remove material in the red area (2,5mm). Red area should be flush with green reference surface.

2 Adjust header position



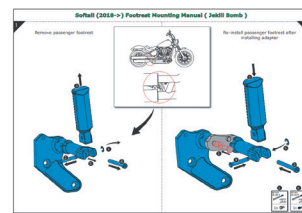
Loosen header nuts to be able to adjust the header position during the upcoming steps. Tighten after step 8.

3 Use spacers on floorboards or mid controls before re-installing them



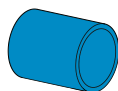
4

If applicable:  
Install footrest adapter before continuing at step 5  
(manual: DR-301148)



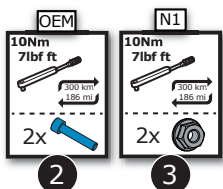
5

Install lower exhaust

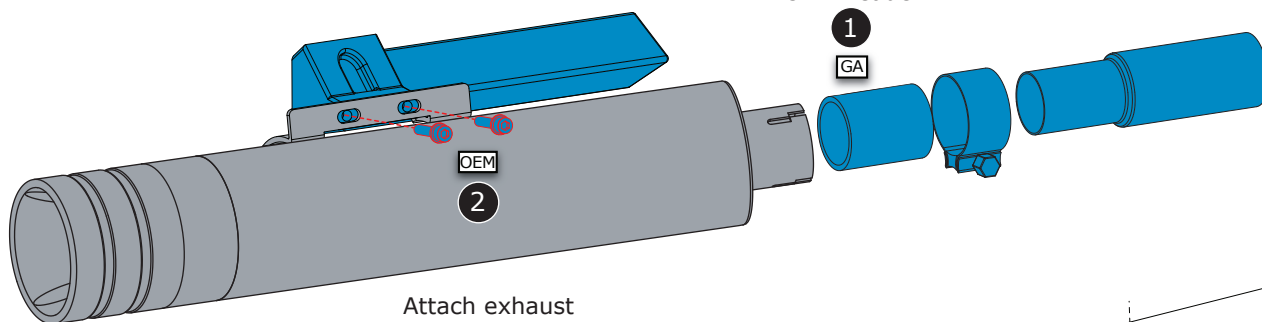


- HD part nr. 65900017

GA  
1x

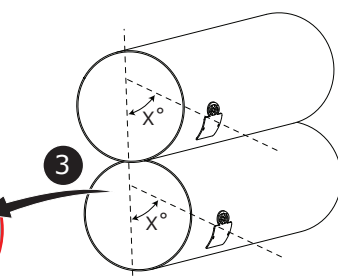
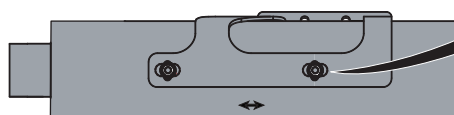


Slide exhaust on OEM header



Attach exhaust to OEM bracket

Loosen nuts to adjust exhaust position

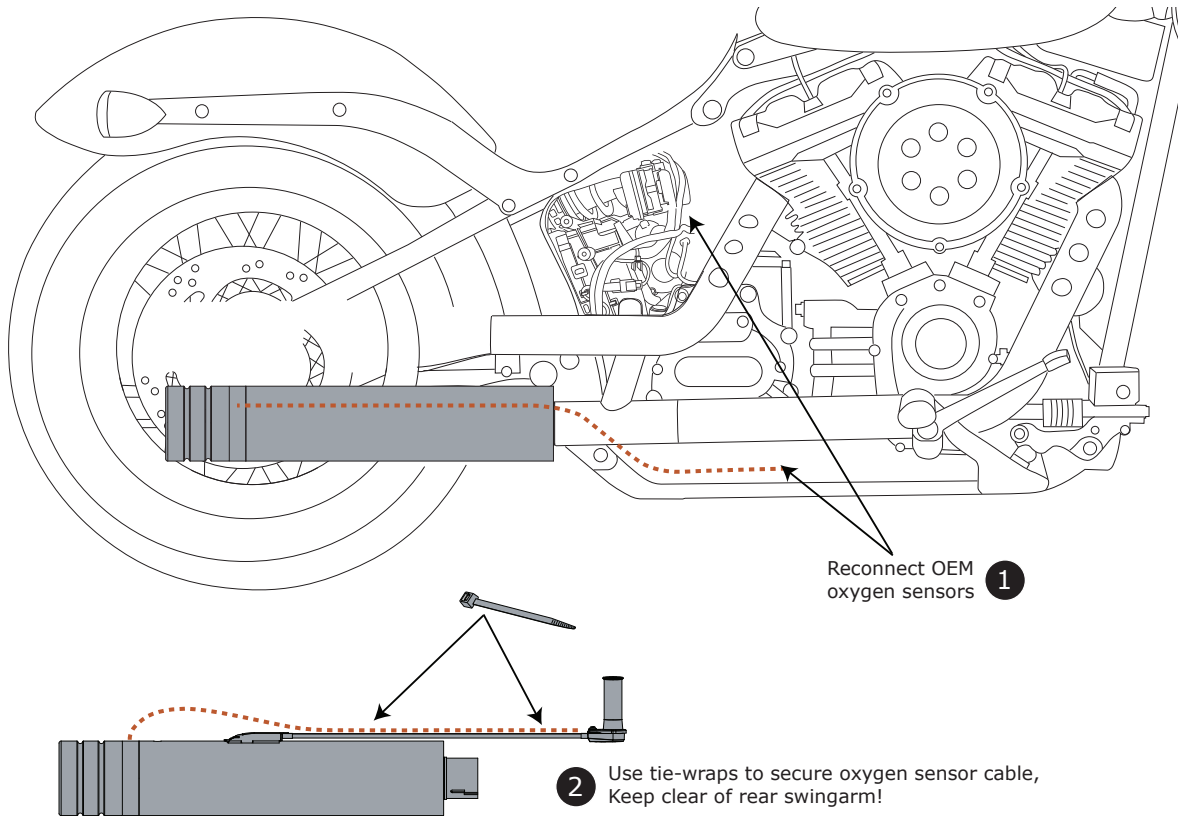


Position typeshields at the same angle (X°)



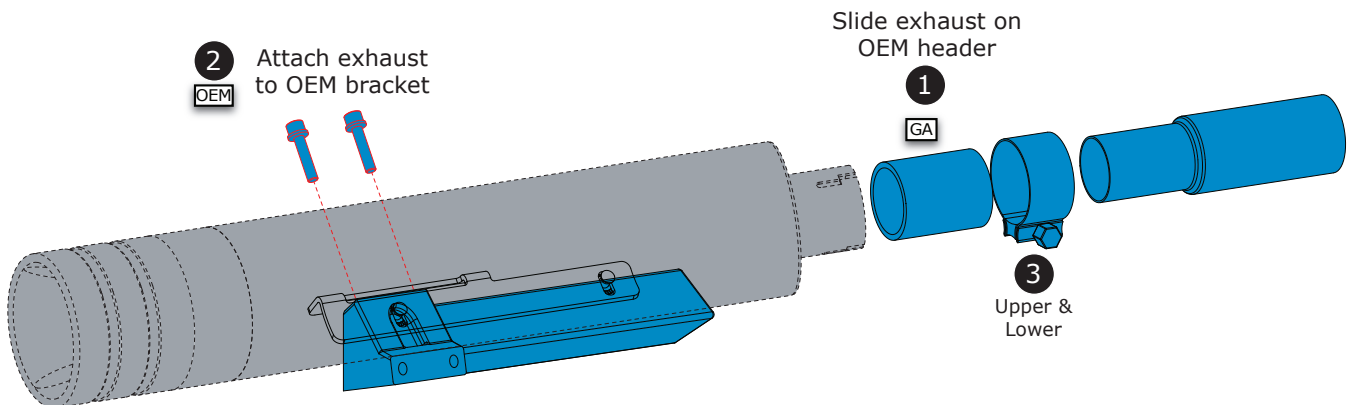
6

### Lower exhaust O2 sensor cable (black) routing



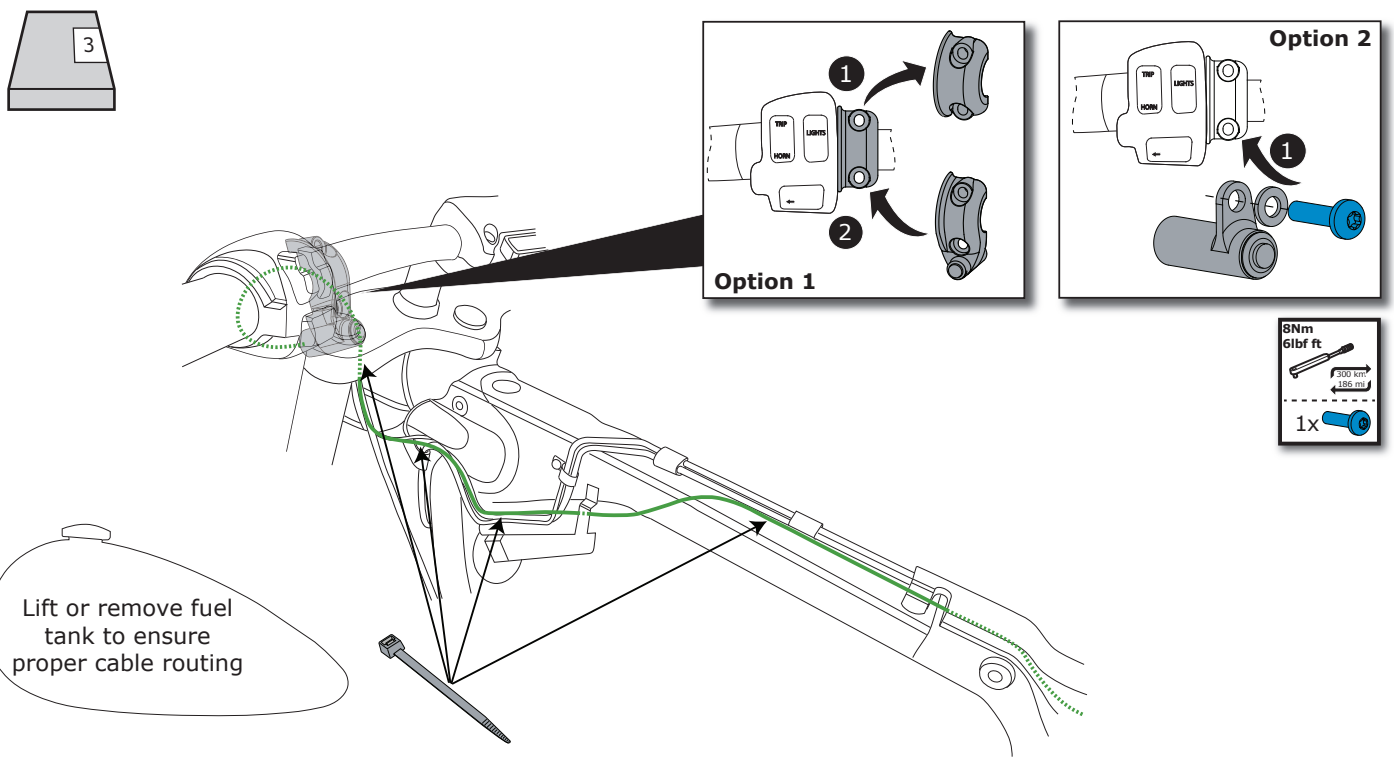
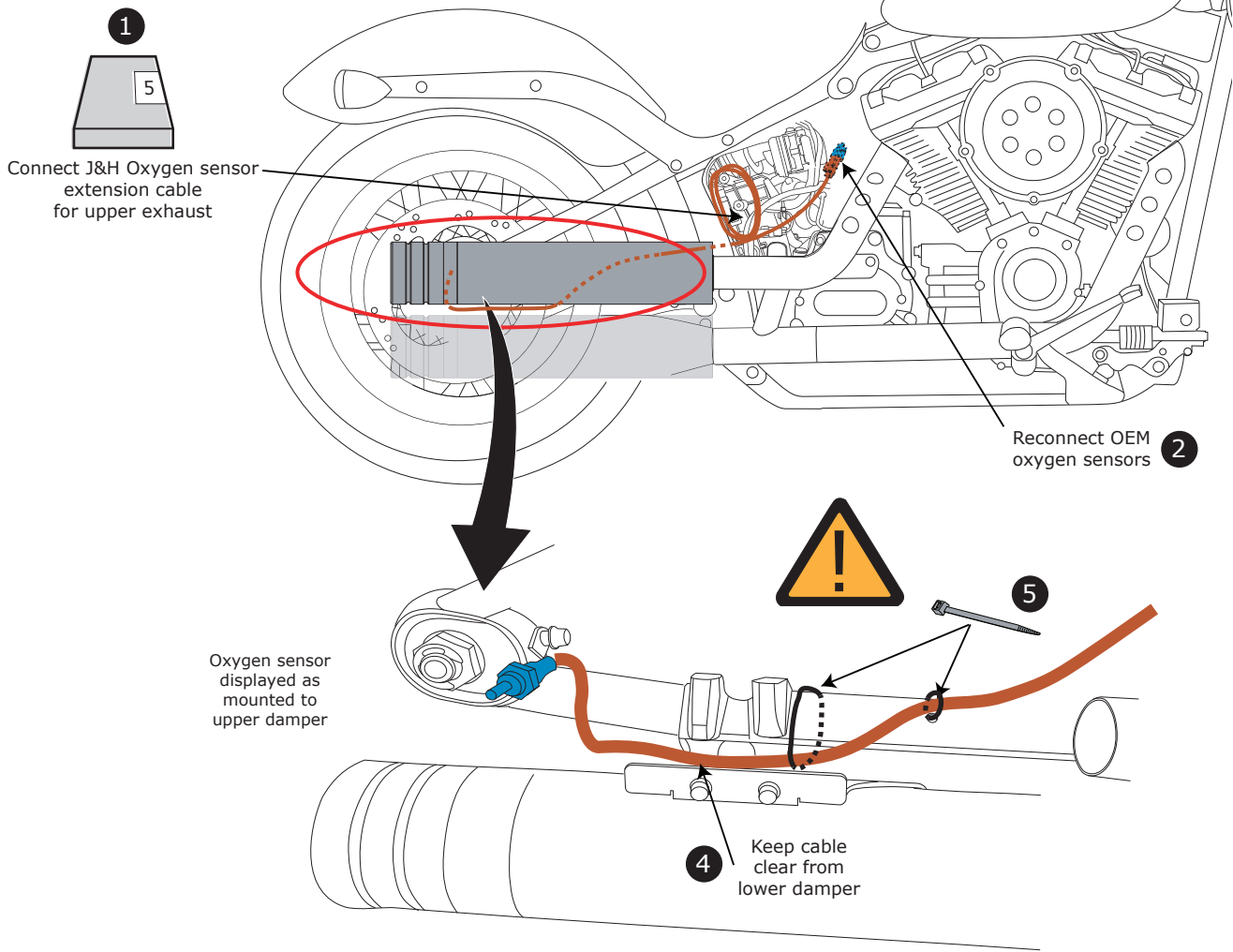
7

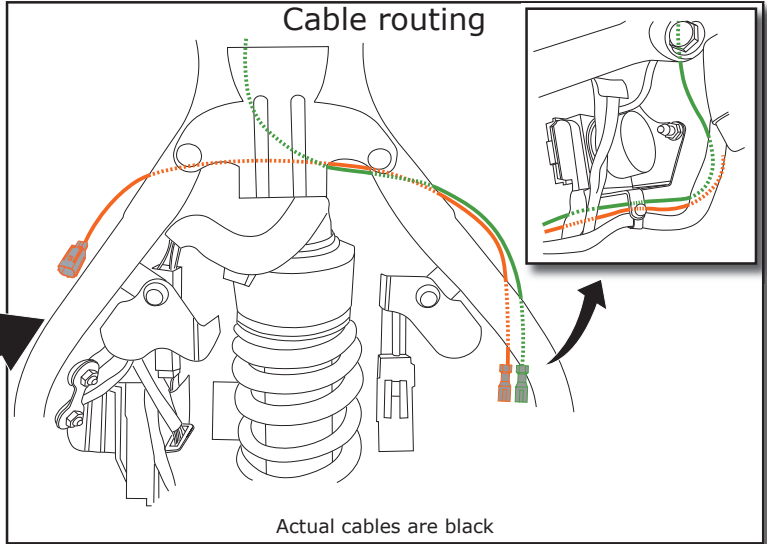
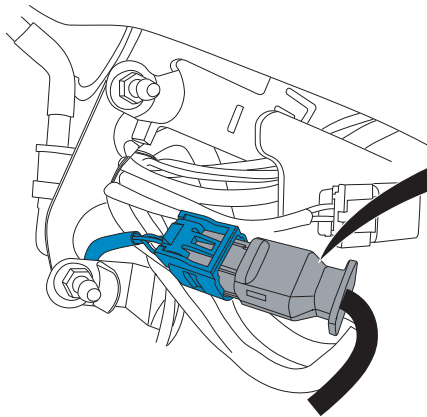
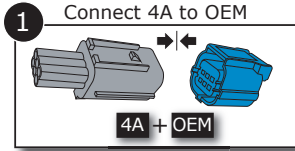
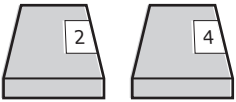
### Install upper exhaust



- |   |  |  |
|---|--|--|
| <p>2<br/>OEM</p> <p>10Nm<br/>7lbf ft</p> <p>300 km<br/>186 mi</p> <p>2x</p> | <p>3<br/>OEM</p> <p>30Nm<br/>22lbf ft</p> <p>300 km<br/>186 mi</p> <p>2x</p> | <p>4<br/>N1</p> <p>10Nm<br/>7lbf ft</p> <p>300 km<br/>186 mi</p> <p>2x</p> |
|---|--|--|

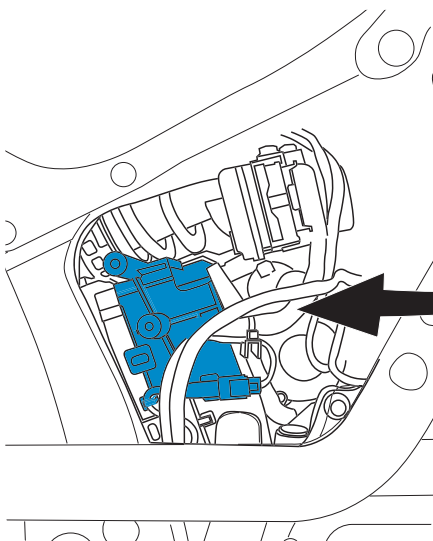
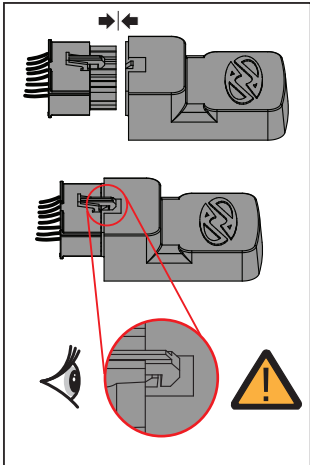
### Upper exhaust O2 sensor cable (gray) routing





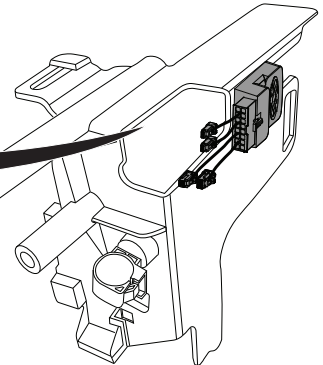
**2**

Connect cable to smartbox



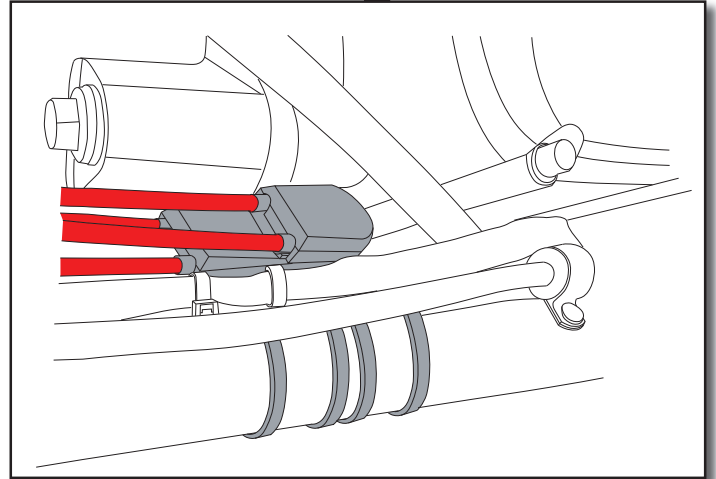
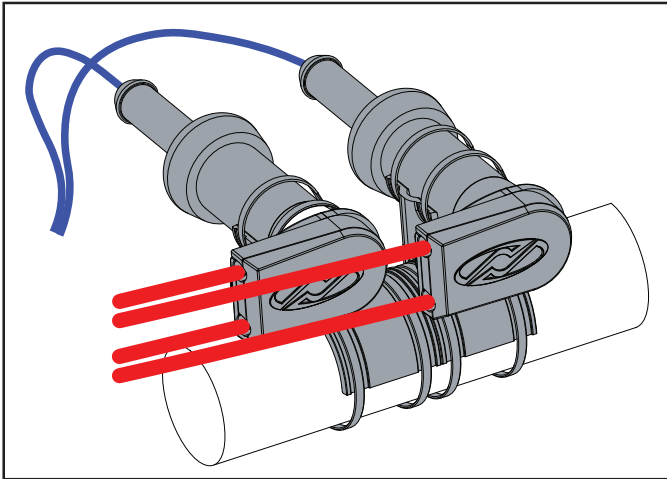
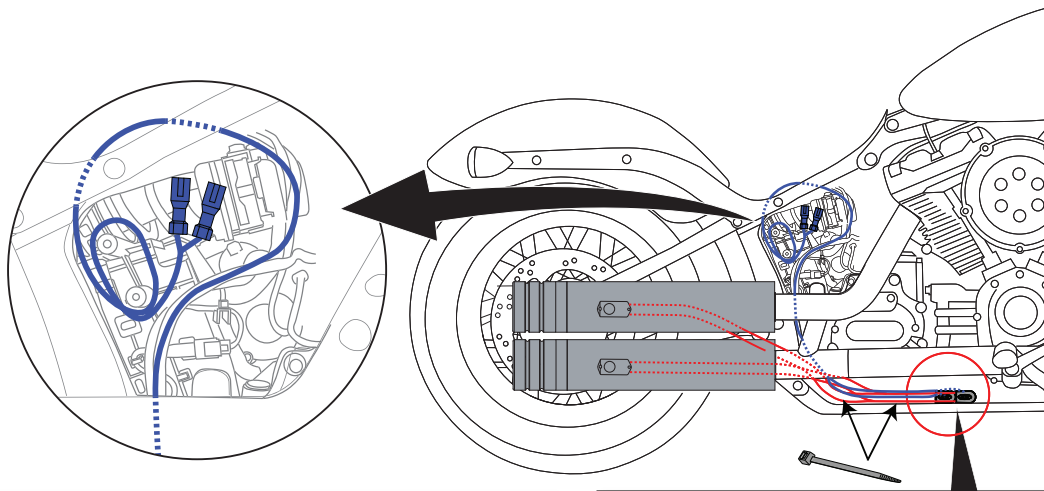
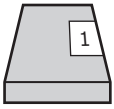
**3**

Position the smartbox as shown

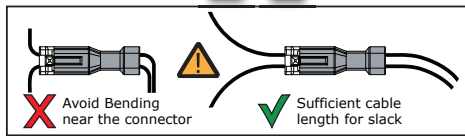
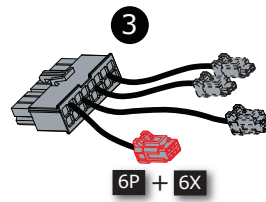
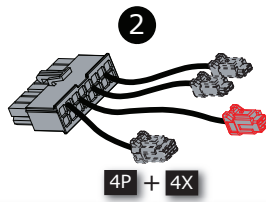
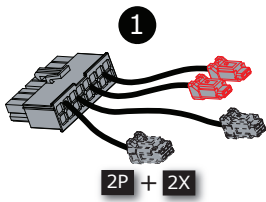


Do not disassemble (image for illustrational purposes)

11



12



13

Complete System Check!

